

## PRODUCT SPECIFICATIONS



# MP2-B

## Peristaltic Pump With Fixed Flow

- Peristaltic Fixed flow pump
- Small dimension
- Easy installation and minimal maintenance
- PP box reinforced 30% talk
- IP 55 protection
- Automatic priming
- Security and reliability
- Polycarbonate front panel
- Wall mounting with stirrup
- Roller holder in PBT
- Rollers in Derlin (self lubricant)
- 2,5 mt power supply cable

### OPTIONAL:

- Other Flowrates ( Different than the standard indicated below )
- 110VAC or other tensions upon request
- Different color (Microdos standard color is Blue)
- Pump Personalization (Logo Serigraph, Barcode, manuals)
- Extra Installation KIT, injection valves, Foot filters, tube fettings,...
- Hostaform Tube Connection Fettings (Food Applications)

## INSTALLATION KIT



Mounting Bracket      Suction Tube 2mt PVC      Inj.Tube 2mt PE

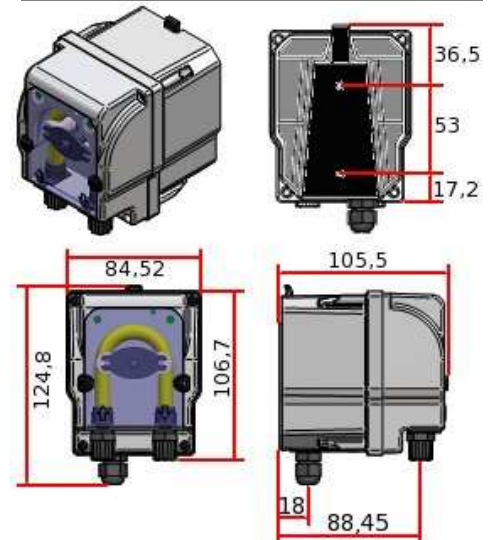
## TECHNICAL INFORMATION

CODE	Lt/h	ml/min	Bar	Rpm/min	Watt	Power	Inner Tube	Outer Tube
P03AA0115000	1,5	25	1	10	3,5	230VAC	San	4x6
P03AA0103000	3	50	1	20	3,5	230VAC	San	4x6
P03AA0104000	4	72	1	30	3,5	230VAC	San	4x6
P03BD0301200	1	16,7	3	30	3,5	24VDC	Sil	4x6
P03AD0104000	4	75	1	31	3,5	24VDC	San	4x6
P03AD0106000	6	95	1	40	3,5	24VDC	San	4x6
P03AD0112000	12	200	1	105	3,5	24VDC	San	4x6

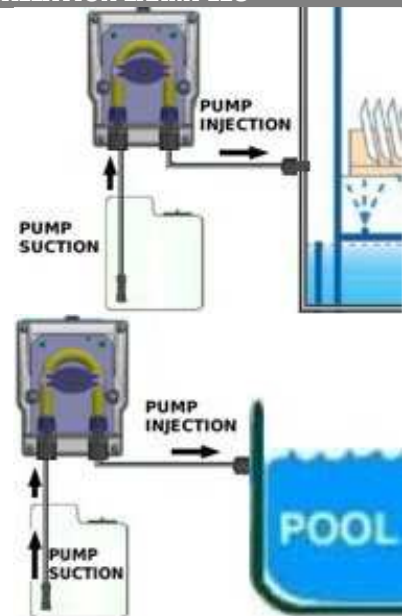
## APPLICATIONS

- Chemical industries
- Medical industries
- Laboratories and analysis
- Food industries
- Detergency
- Disinfection
- Swimming pools

## PUMP VIEW (mm)



## INSTALLATION EXAMPLES



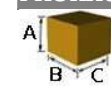

## LIQUID ENDS

### COMPONENT

### MATERIAL

INNER TUBE	SANTOPRENE/SILICON
FETTINGS	POLYPROPYLENE

## PACKAGE (cm / Kg)

	
Pump: 12 x 18 x 12	0,70
Multipack (27Psz): 55 x 39 x 38	19,00
PUMPS/PALLET (216 Psz): 80x120x175	160,00

## NOTES

- MADE IN ITALY
- 100% Tested before delivery
- Produced conform to CE laws