

## PRODUCT SPECIFICATIONS



# MP2-C

**Peristaltic Pump  
Proportional to  
Conductivity**

- Peristaltic pump proportional to conductivity
- 0 - 20000 µS Range
- K1 conductivity probe
- Small dimensions
- Easy installation and minimal maintenance
- PP box reinforced 30% talk
- IP 55 protection
- Automatic priming
- Security and reliability
- Polycarbonate front panel
- Wall mounting with stirrup
- Roller holder in PBT
- Rollers in Derlin (self lubricant)
- 2,5 mt power supply cable

### OPTIONAL:

- Other Flowrates ( Different than the standard indicated below )
- Different color (Microdos standard color is Blue)
- Pump Personalization (Logo Serigraph, Barcode, manuals)

## INSTALLATION KIT



Mounting Bracket	Suction Tube 2mt PVC	Inj.Tube 2mt PE	Tub Plug	Conductivity K1 probe	Foot filter	Mounting Bracket
------------------	----------------------	-----------------	----------	-----------------------	-------------	------------------

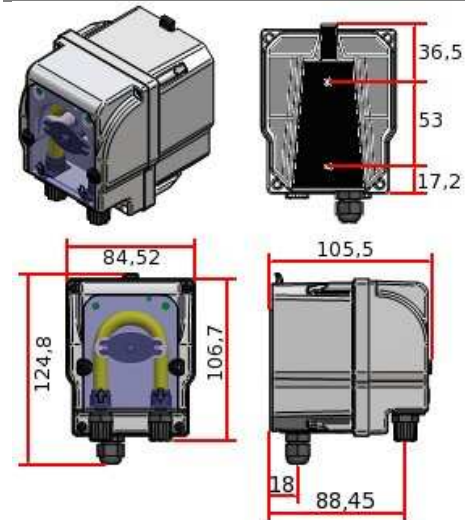
## TECHNICAL INFORMATION

CODE	Lt/h	ml/min	Bar	Rpm/min	Watt	Power	Inner Tube	Outer Tube
P05AA0104100	4	75	1	31	3,5	230VAC	Santoprene	4x6
P05AA0106100	6	95	1	40	3,5	230VAC	Santoprene	4x6

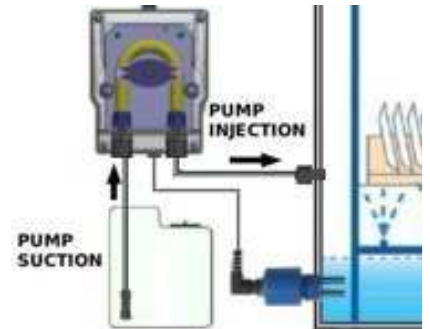
## APPLICATIONS

- Chemical industries
- Laboratories and analysis
- Food industries
- Detergency
- Disinfection
- Swimming pools

## PUMP VIEW (mm)



## INSTALLATION EXAMPLES



## LIQUID ENDS

COMPONENT	STANDARD MATERIAL	OPTIONAL MATERIAL
INNER TUBE	SANTOPRENE /SILICON	
FETTINGS	POLYPROPYLENE	
Foot filter	AISI 316	
Injection valve	AISI 316-Viton	AISI 316-Dutral

## PACKAGE (cm / Kg)

PACKAGE	KG
Pump: 12 x 18 x 12	0,90
Multipack (27Psz): 55 x 39 x 38	24,30
PUMPS/PALLET (216 Psz): 80x120x175	194,50

## NOTES

- MADE IN ITALY
- 100% Tested before delivery
- Produced conform to CE laws