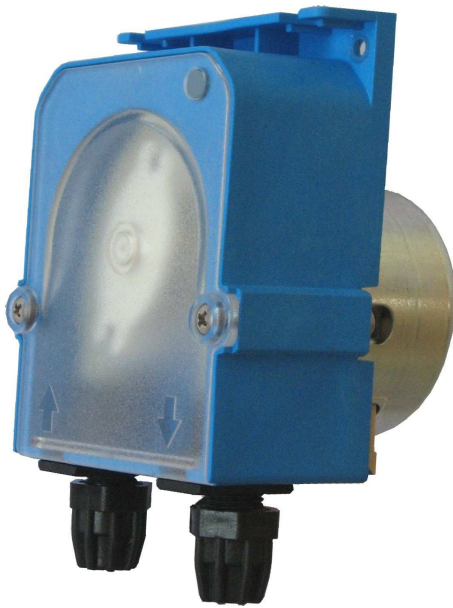


## PRODUCT SPECIFICATIONS



# MP3

**Peristaltic Pump  
With Fixed Flow**

- Peristaltic Fixed flow pump with compact dimensions
- Small dimensions
- Easy installation and minimal maintenance.
- PP box reinforced 30% talk.
- Automatic priming
- Security and reliability.
- Polycarbonate front panel.
- Suitable for being mounted in Watertight Panels
- Roller holder in PBT
- Rollers in Derlin (self lubricant)
- Standard Power Supply 240VAC - 24VDC

### Optional:

- Different power supply 110VAC or other upon request.
- Hand screws (Plastic Covered)
- Different Case Color (Microdos Standard is Blue)
- Front polycarbonate panel personalization (customer's logo)
- Personalized manuals and barcode label.
- Other Flowrates, different than the standard ones reported below
- Different motor type according to the application requests

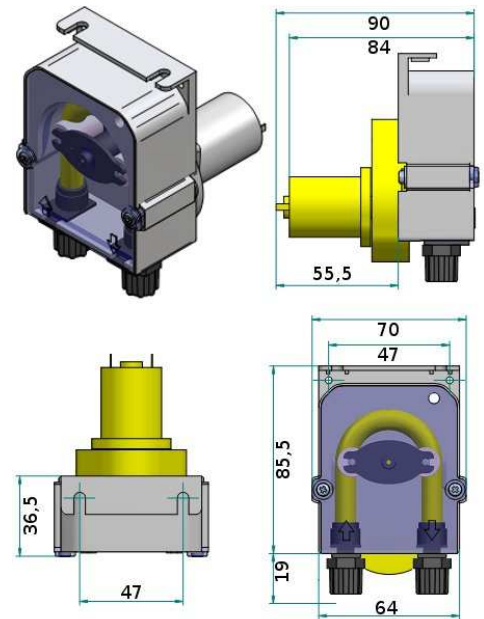
## TECHNICAL INFORMATION

CODE	Lt/h	ml/min	Bar	Rpm/min	Watt	Power	Inner Tube	Outer Tube
P08CA0305200	0,5	8,3	3	5	8	230 VAC	SILICON	4x6 MM
P08AA0103100	3	50	1	20	8	230 VAC	SANTOPRENE	4x6 MM
P08AD0104000	4	75	1	31	3,5	24 VDC	SANTOPRENE	4x6 MM
P08AD0106000	6	95	1	40	3,5	24 VDC	SANTOPRENE	4x6 MM
P08AD0112000	12	200	1	105	5,5	24 VDC	SANTOPRENE	4x6 MM
P08AD0116000	16	266	1	120	5,5	24 VDC	SANTOPRENE	4x6 MM

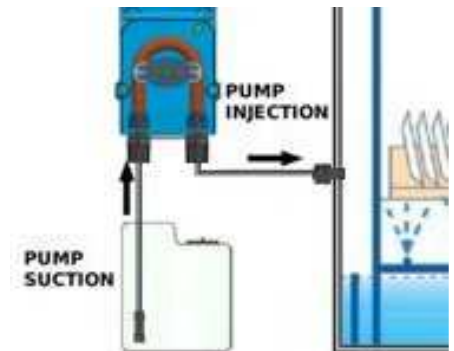
## APPLICATIONS

- Chemical industries
- Medical industries
- Laboratories and analysis
- Food industries
- Detergency
- Disinfection
- Swimming pools

## PUMP VIEW (mm)





## INSTALLATION EXAMPLES



## LIQUID ENDS

COMPONENT	STANDARD	OPTIONAL
INNER TUBE	Santoprene 4x7	Silicon
FETTINGS	PP (30% TALK)	

## PACKAGE (cm / Kg)

	
For Pump: 12 x 18 x 12	0,35 ▲
Multipack(90Psz): 55 x 39 x 38	32,00 ▲

▲ Depends on the motor weight, changes from a pump model to another

## NOTES

- MADE IN ITALY
- 100% Tested before delivery
- Produced conform to CE laws